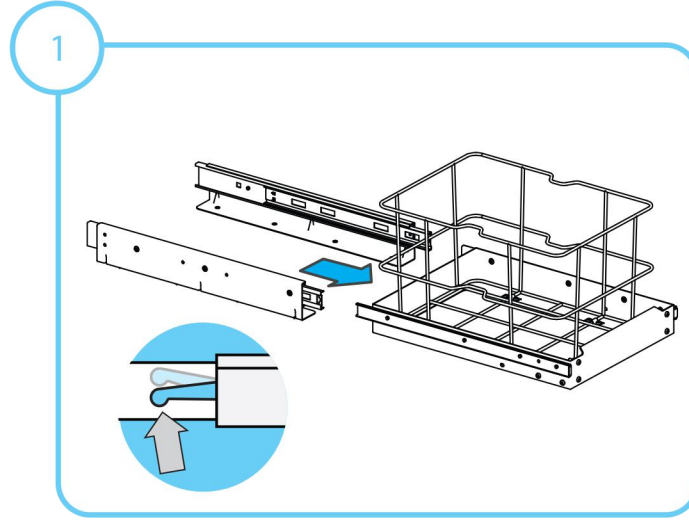
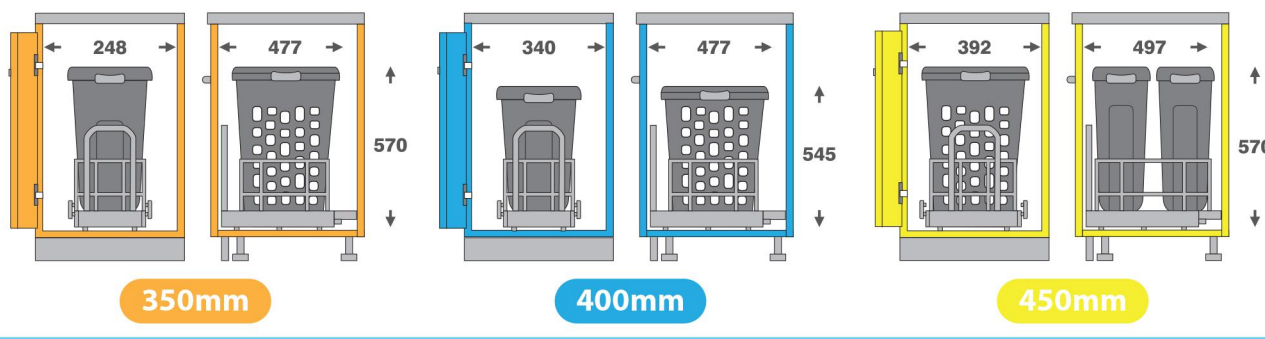
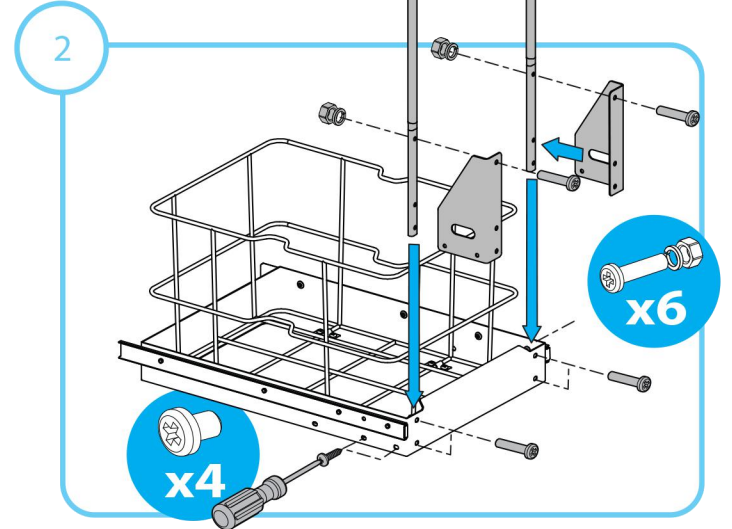


wilson & bradley **kiq ora**

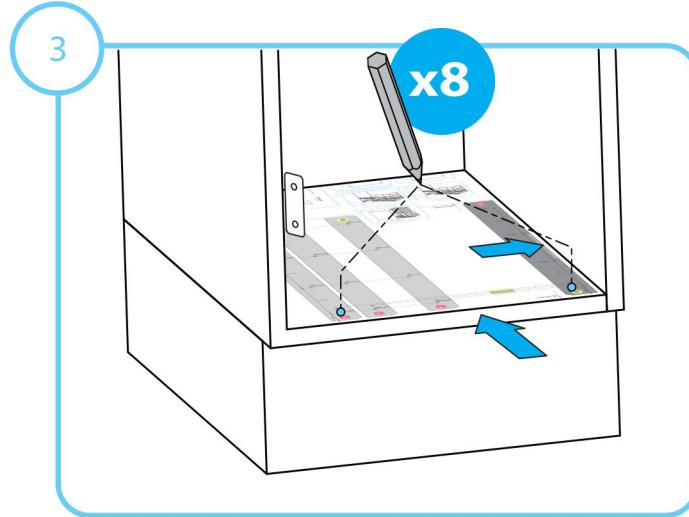
Suitable for Cabinet Widths:



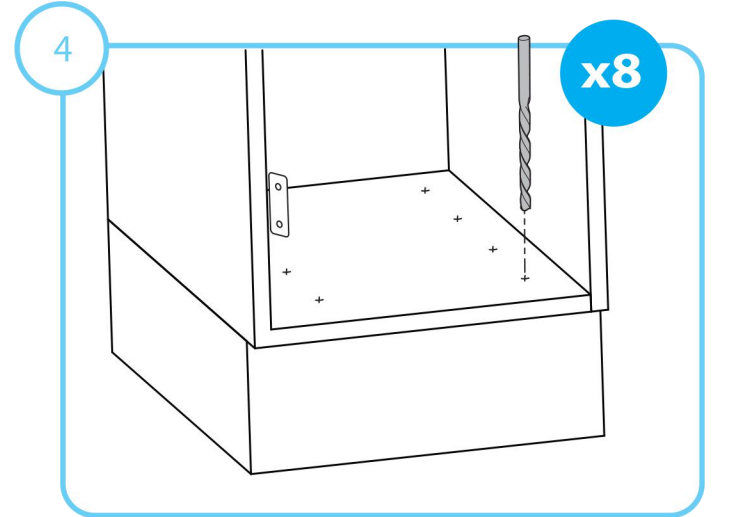
Separate runners from assembly using runner clips



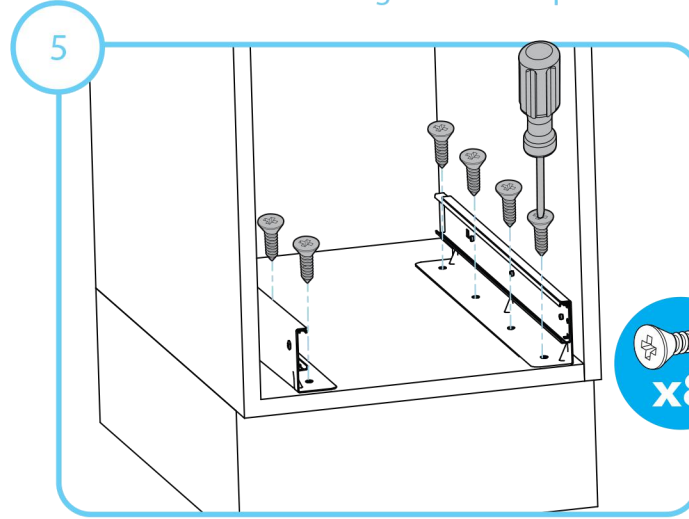
Attach Handle to the Lower Tray using Handle Arms and screws



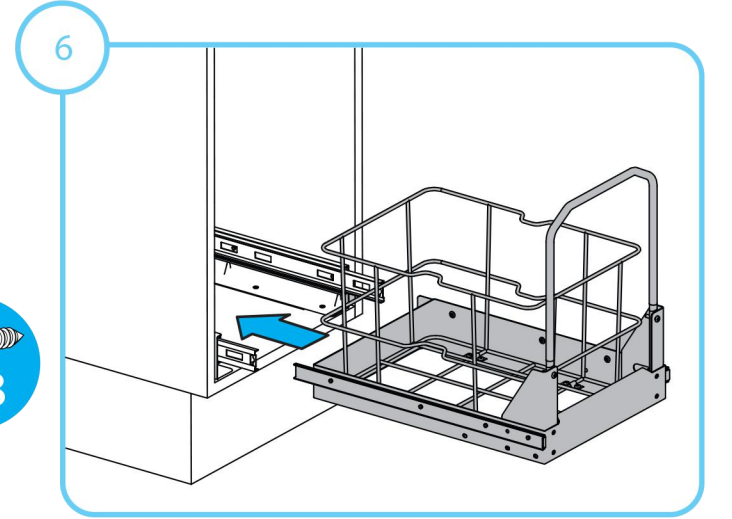
Place instructions in cabinet. Rotate to position dark grey bracket opposite to hinges. Pencil Bracket holes using correct template



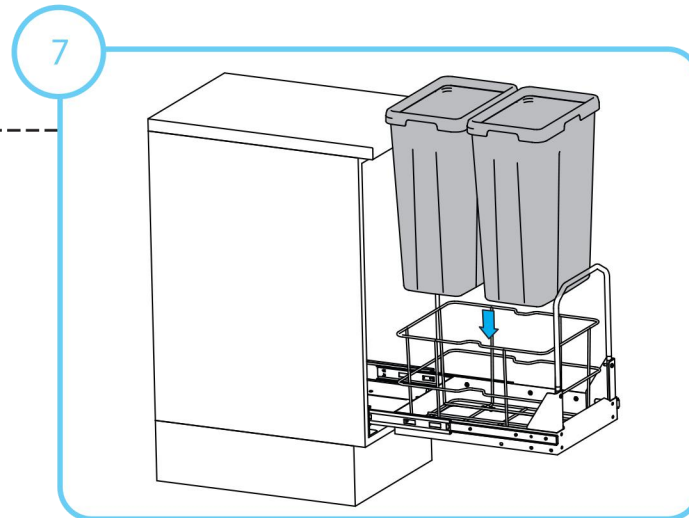
Drill Bracket holes in bottom of cabinet



Screw Brackets to bottom of cabinet



Slide the Lower Tray into runners. Makes click sound.



Install bin(s)



Step 2

x6



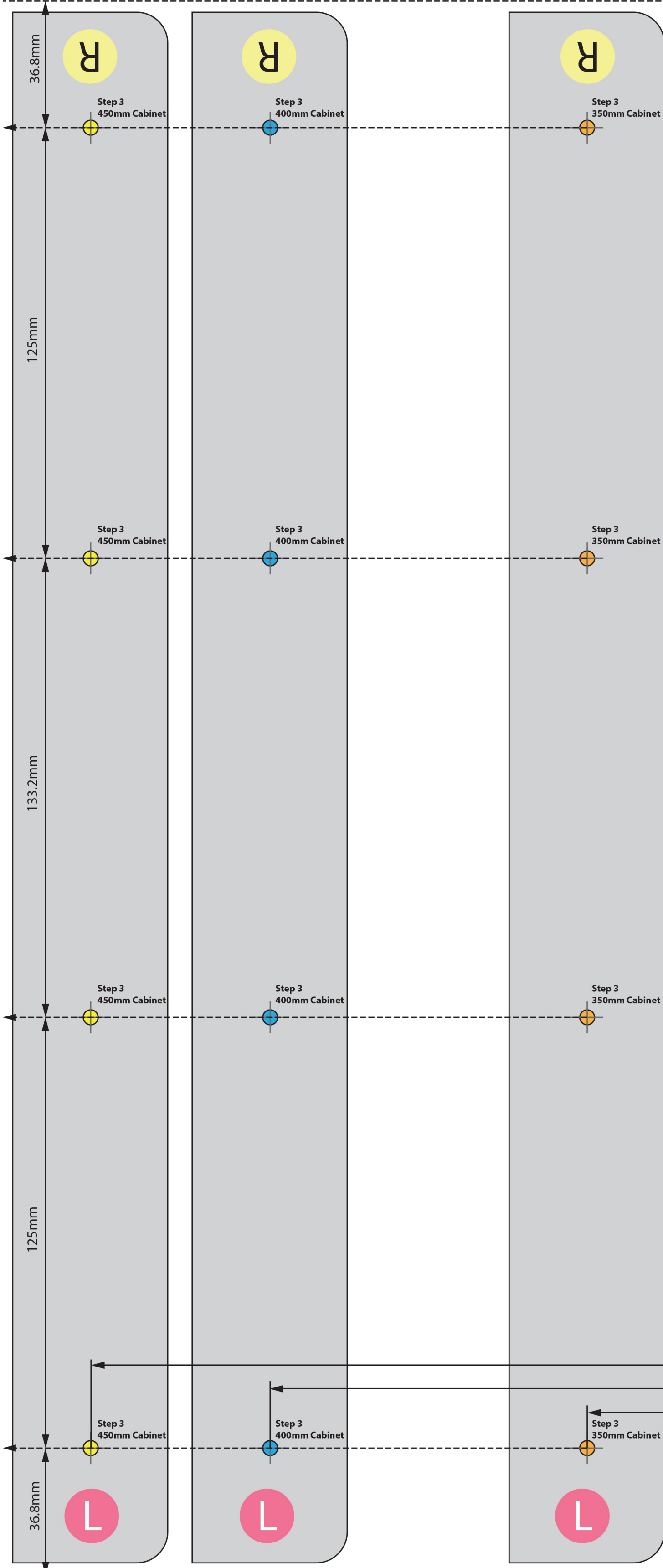
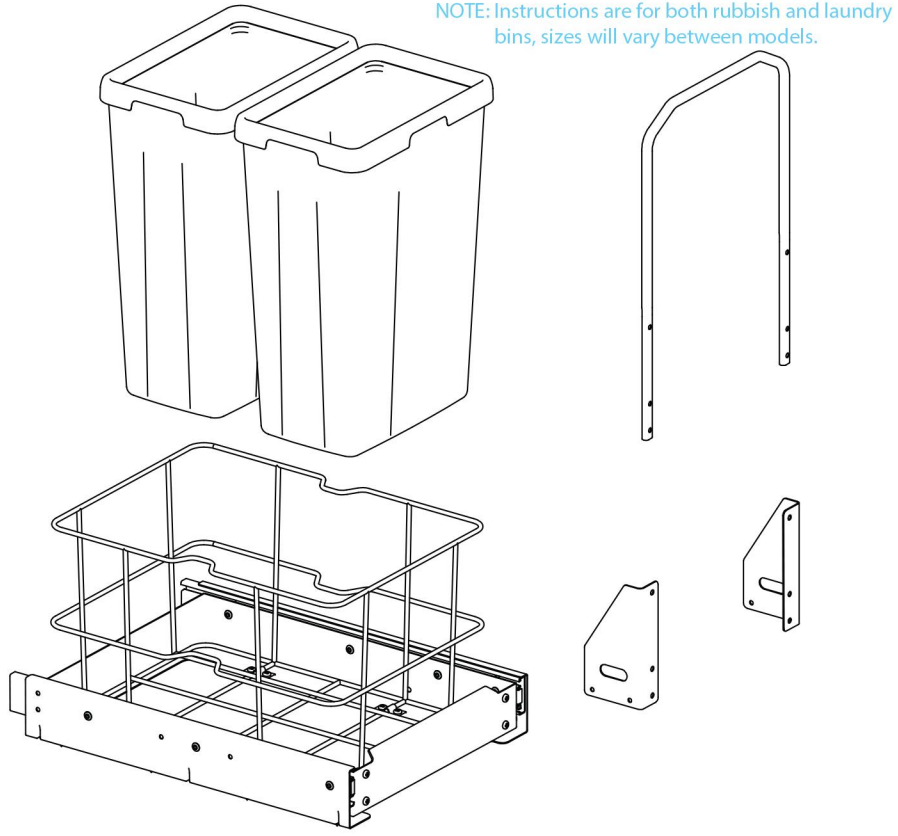
Step 2

x4

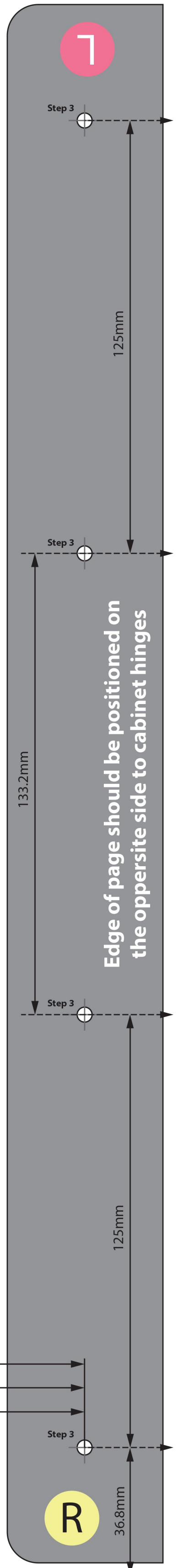


Step 5

x8



For Hinges on Right
Cabinet Front Edge



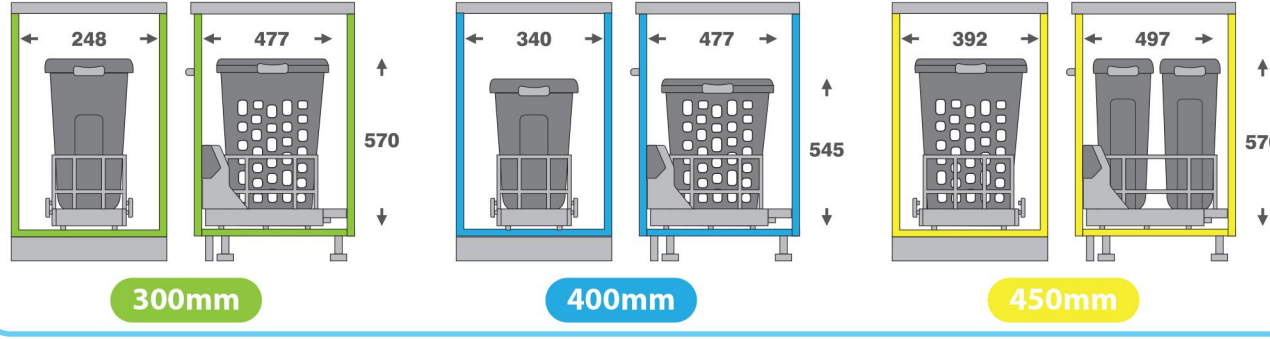
Edge of page should be positioned on the opposite side to cabinet hinges

Cabinet Front Edge
For Hinges on Left

450mm Cabinet
400mm Cabinet
350mm Cabinet

wilson & bradley **kia ora**

Suitable for Cabinet Widths:

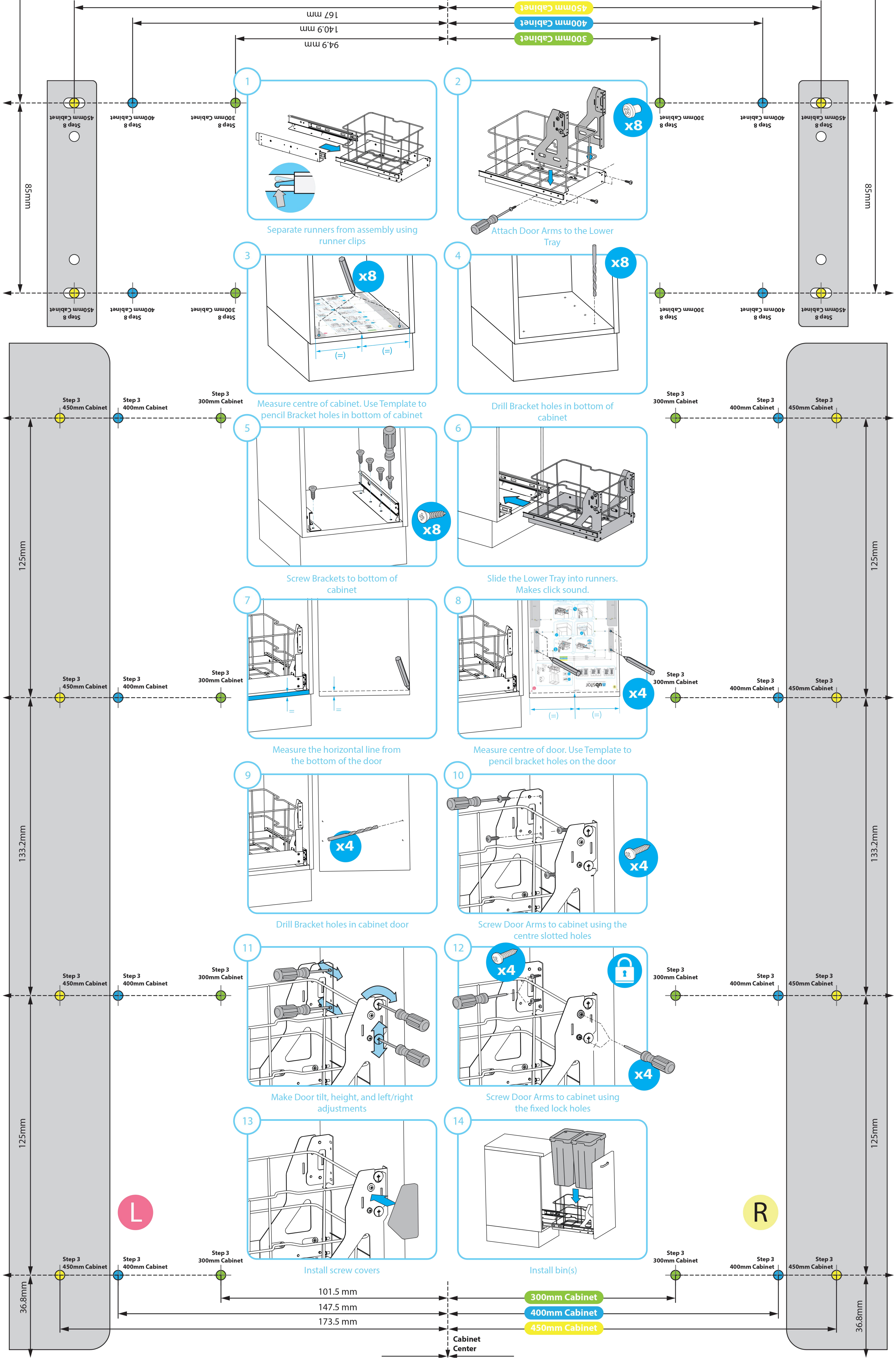


NOTE: Instructions are for both rubbish and laundry bins, sizes will vary between models.

Step 2
x8

Step 5
x8

Step 10 & 12
x8



R

T

L

R